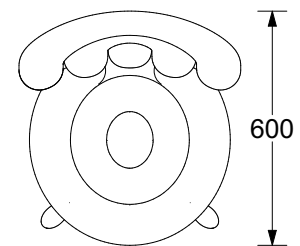
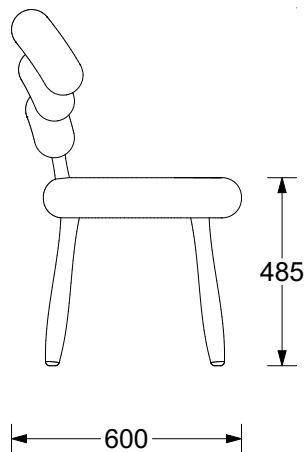
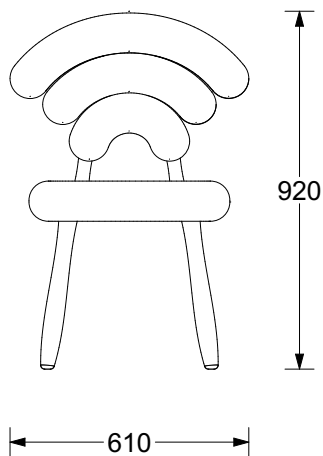




CELIA CHAIR

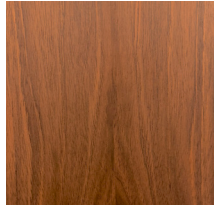
DIMENSIONS	FABRIC FOR COM	LEAD TIME
in W. 23.4 x D. 19.4 x H. 35.6 / Seat height 19 cm W. 59.4 x D. 49.3 x H. 90.6 / Seat height 48.5	2 mts	12 weeks



WOOD STRUCTURE



OAK



WALNUT

UPHOLSTERY - GIADA

74% Wool, 24 % Linen, 2% Polyamide.

Width : 138 cm / 54.0 in Martindale : 12.000



SEDIMENT
ED-E-FAGIA-036



HERRING GULL
ED-E-FAGIA-037



SEA ARCH
ED-E-FAGIA-038



QUARTZITE
ED-E-FAGIA-039

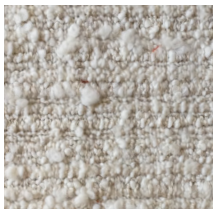
UPHOLSTERY - AVA / ELLA

33% Viscose, 24% Virgin wool,
24 % Polyacrylic, 12% Linen, 6% Polyester,
1% Polyamide.

Width : 146 cm / 57.4 in Martindale : 80.000

52% Viscose, 26% Cotton, 22% Linen.

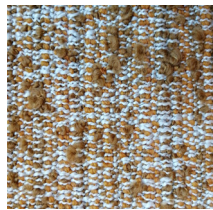
Width : 138 cm / 54.0 in Martindale : 35.000



ECRU
ED-E-FAAVA-013



EMERALD
ED-E-FAAVA-014



HONEY
ED-E-FAAVA-015



GREY
ED-E-FAAVA-016



DARK INDIGO
ED-E-FAAVA-017



AQUA
ED-E-FAAVA-018



CENDRE
ED-E-FAELL-009



ECORCE
ED-E-FAELL-010